

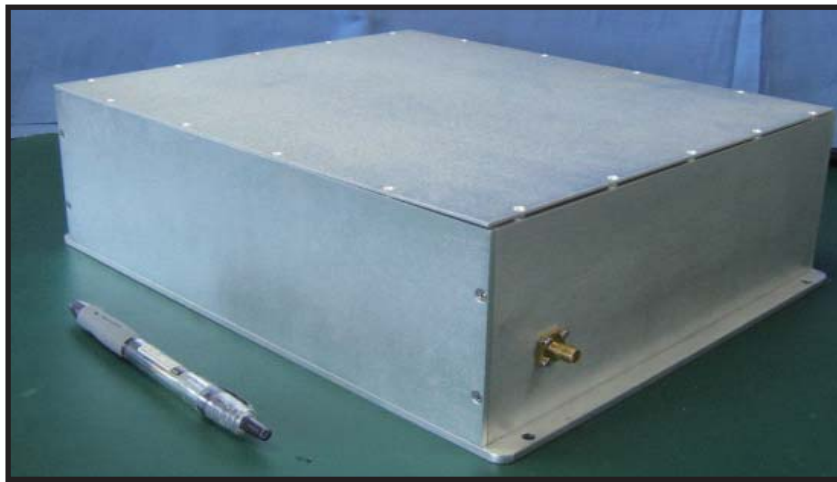
IFM 2-40GHz Instantaneous Frequency Measurement Receiver

FEATURE

- ◆ Low Power Consumption
- ◆ High Resolution low RMS
- ◆ Operating temperature: reach to -55-+85 deg C
- ◆ Compact/Rugged Thin-Film Construction

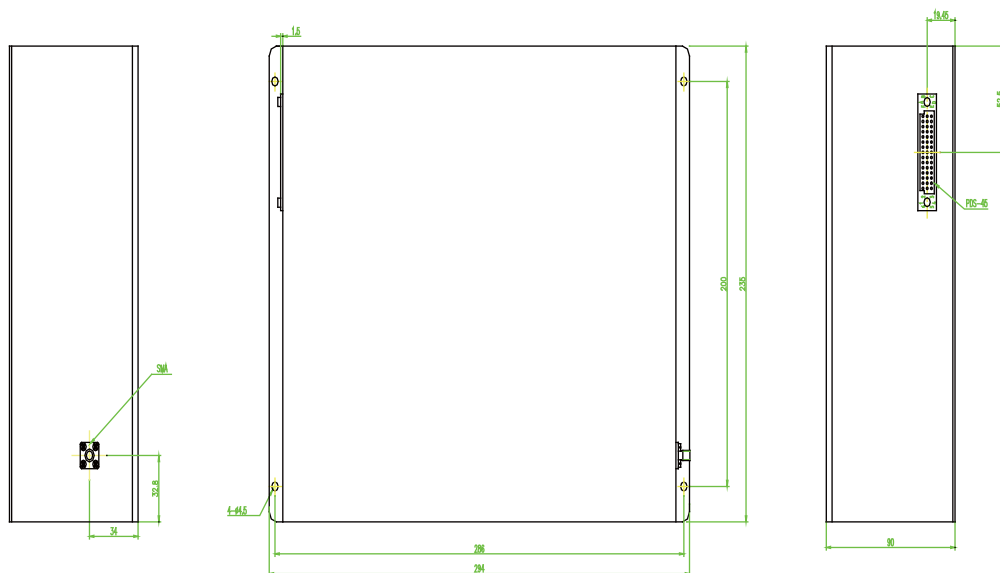
APPLICATION

- ◆ Microwave Radio & VSAT
- ◆ Military & Space
- ◆ Test Instrumentation
- ◆ Radar systems
- ◆ Electronics warfare system



CASE TYPE(mm)

2-18GHz IFM Receiver system





IFM 2-18GHz Instantaneous Frequency Measurement Receiver

IFM 2-18GHz Instantaneous Frequency Measurement Receiver

Specification		
Part Number		IFM0218R25E6M100
Operating Frequency Range		2~18GHz
Number of Bits		13 bits parallel
Resolution		<3MHz
Frequency Measurement error (RMS)		<6MHz in -30°C to +60°C
Minimum Pulse Width		<100ns
Maximum Pulse Width		CW (CW>500μs)
Minimum input RF Power (Sensitivity)		<-60dBm
Maximum Input RF Power		>-5dBm
Dynamic range		>55dB
Throughput time		<250nS
No damage input Power		1W CW, 200W pulse
Maximum input Pulse rate		1,000,000 pulse/sec
Temperature		Operational : -30°C to+60°C Storage: -40°C to +70°C
Humidity		95% at +40°C
MTBF		10000 Hours
MTTR		1 hour
Weight		around 3kg
Input interface		SMA-F
Digital Video Output		SMA-F
Digital Interface		With RS232 ,45PIN connector
Signal Processing Capability		Pulse on CW, pulse on pulse CW , pulse (Width CW, pop and Po CW Flag Out Put
Input VSWR		2:1
Input impedance		50 ohms
Internal Clock Rate		100MHz min
Data Acknowledge Pulse Width		100ns min
DC Power		+5V/2A -5V/1A,+12V/1.5A
Case type(L*W*H)		230*290*90mm

IFM 18-26.5GHz Instantaneous Frequency Measurement Receiver

IFM 18-26.5GHz Instantaneous Frequency Measurement Receiver

Specification		
Part Number		IFM1826R2E6M100
Operating Frequency Range		18~26.5GHz
Number of Bits		13 bits parallel
Resolution		<2MHz
Frequency Measurement error (RMS)		<6MHz in -30°C to +60°C
Minimum Pulse Width		<100ns
Maximum Pulse Width		CW (CW>500μs)
Minimum input RF Power (Sensitivity)		<-60dBm
Maximum Input RF Power		>-10dBm
Dynamic range		>50dB
Throughput time		<250nS
No damage input Power		1W CW, 200W pulse
Maximum input Pulse rate		1,000,000 pulse/sec
Temperature		Operational : 30°C to+60°C Storage: -40°C to +70°C
Humidity		95% at +40°C
MTBF		10000 Hours
MTTR		1 hour
Weight		around 3kg
Input interface		SMA-F
Digital Video Output		SMA-F
Digital Interface		With RS232 ,45PIN connector
Signal Processing Capability		Pulse on CW, pulse on pulse CW , pulse (Width CW, pop and Po CW Flag Out Put
Input VSWR		2:1
Input impedance		50 ohms
Internal Clock Rate		100MHz min
Data Acknowledge Pulse Width		100ns min
DC Power		+5V/2A,-5V/1A,+12V/1.5A
Case type(L*W*H)		235*290*110mm

IFM 26.5-40GHz Instantaneous Frequency Measurement Receiver

IFM 26.5-40GHz Instantaneous Frequency Measurement Receiver

Specification		
Part Number		IFM2640R2E6M100
Operating Frequency Range		26.5~40GHz
Number of Bits		13 bits parallel
Resolution		<2MHz
Frequency Measurement error (RMS)		<6MHz in -30°C to +60°C
Minimum Pulse Width		<100ns
Maximum Pulse Width		CW (CW>500μs)
Minimum input RF Power (Sensitivity)		<-60dBm
Maximum Input RF Power		>-10dBm
Dynamic range		>50dB
Throughput time		<250nS
No damage input Power		1W CW, 200W pulse
Maximum input Pulse rate		1,000,000 pulse/sec
Temperature		Operational : -30°C to+60°C Storage: -40°C to +70°C
Humidity		95% at +40°C
MTBF		10000 Hours
MTTR		1 hour
Weight		around 3kg
Input interface		SMA-F
Video Output		SMA-F
Digital Interface		With RS232 ,45PIN connector
Signal Processing Capability		Pulse on CW, pulse on pulse CW , pulse (Width CW, pop and Po CW Flag Out Put
Input VSWR		2:1
Input impedance		50 ohms
Internal Clock Rate		100MHz min
Data Acknowledge Pulse Width		100ns min
DC Power		+5V/2A,-5V/1A,+12V/1.5A
Case type(L*W*H)		235*290*110mm